

D4S-WMT/ D4S-CMT

3/4" NPT Wall mount and Pendant mount for D4S Series

D4S-WMT 3/4" NPT Wall Mount

D4S-CMT 3/4" NPT Pendant Mount



The **D4S-WMT** and **D4S-CMT** are high quality wall mount and pendant mount accessories designed for the D4S Indoor 4" Dome Camera Series. Combining **D4S-WMT** and **D4S-CMT** accessories with the superior imaging of an D4S Series Camera provides the perfect solution for environments in which cameras need to be less noticeable, or require additional protection.

Arecont Vision Advantages:

Easy Installation

- Easy installation and superior design, perfect for wall mount or pendant mount applications

Excellent Enclosure Protection

- Heavy duty enclosure features for applications in harsh environments

Compatibility

- Compatible with 3/4" NPT standard

Vandal Resistant

- Die-cast aluminum, resistant to impact and salt damage

Specification sheets subject to change without notice

Model Numbers:

- D4S-WMT** 3/4" NPT Wall Mount
- D4S-CMT** 3/4" NPT Pendant Mount

Mechanical

- Housing material: Aluminum
- Color: Ivory (pantone cool gray 1c)
- Housing Height:
 - D4S-WMT : 3.93 in (100mm)
 - D4S-CMT : 4.58 in (115.8 mm)
- Housing Diameter:
 - 4.6 in (118.5 mm)
- Weight w/o camera:
 - D4S-CMT : 0.46 lbs (210 g)
 - D4S-WMT : 0.54 lbs (245 g)

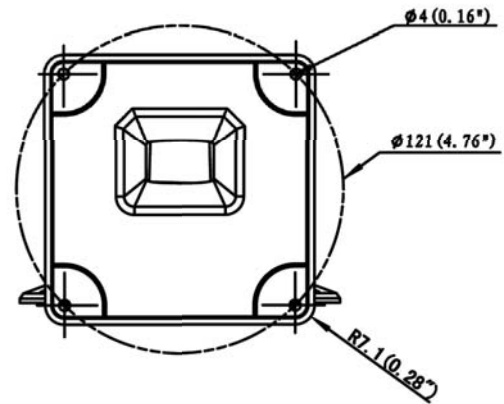
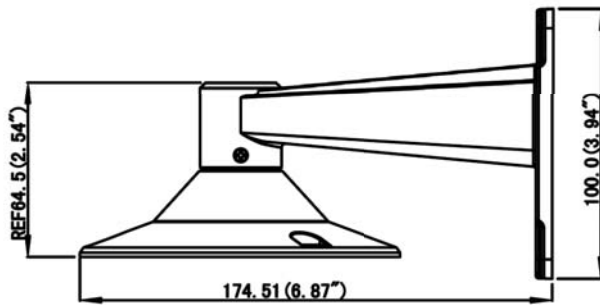
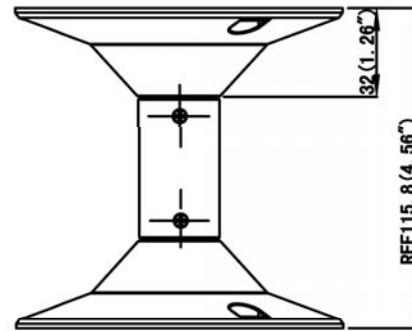
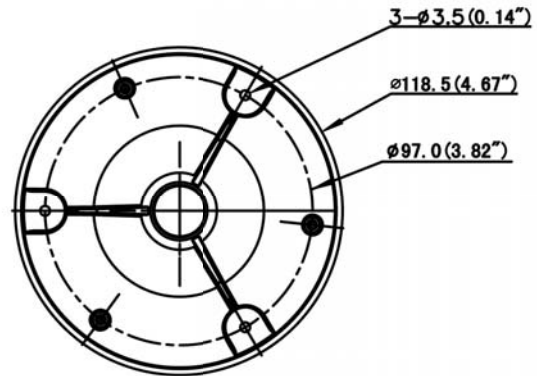
Compatible Cameras

- D4S Series

Compatibility

- Compatible with 3/4" NPT standard

D4S-CMT



D4S-WMT

