

CCTV Equipment

VIDEO DISTRIBUTION AMPLIFIER (1 in 7 out)

TYPE BH99

DATA SHEET

- *7 video outputs*
- *For use with coaxial cables*
- *12V DC operation*
- *Adjustable for overall Gain and High Frequency Lift*



APPLICATION

When installing CCTV equipment it is sometimes required to send the video signal from a camera to more than one monitor or other items of receiving equipment at the same time. This can be achieved using a Distribution Amplifier.

The BH99 is a free standing Distribution Amplifier with one signal input and seven signal outputs.

External controls for overall Gain and High Frequency Lift enable the installer to obtain the correct signal levels. A 12V DC regulated power supply is included with the unit.

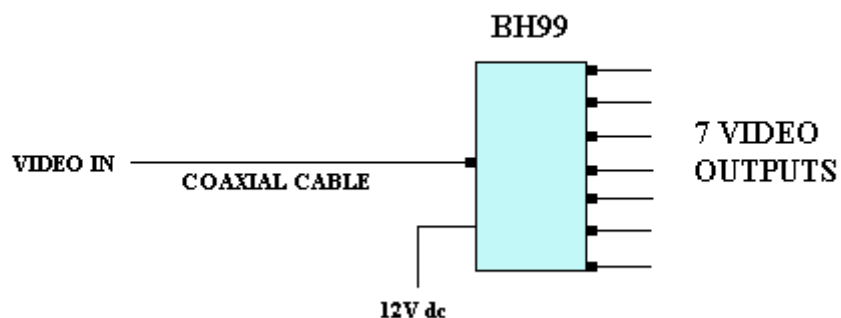
Addlestone Electronics Ltd.

DESIGNED AND MANUFACTURED IN UK

TECHNICAL DATA

BH99

INPUT SIGNAL REQUIREMENTS	<i>Composite video in colour / monochrome or other wide band signals within a frequency bandwidth of 30Hz to 5MHz.</i>
NOMINAL INPUT SIGNAL	<i>1 volt peak to peak.</i>
NOMINAL OUTPUT SIGNAL	<i>1 volt peak to peak, terminated in 75 ohms.</i>
INPUT IMPEDANCE	<i>The input is terminated internally in 75 ohms.</i>
NUMBER OF INPUTS	<i>1 input.</i>
NUMBER OF OUTPUTS	<i>7 outputs.</i>
INPUT-OUTPUT CONNECTIONS	<i>The input and outputs are all 75 ohm BNC type connectors.</i>
OUTPUT SIGNAL PROTECTION	<i>No damage will result should all 7 outputs be shorted. A shorted output line will not effect the operation of the other outputs.</i>
OVERALL SIGNAL LINEARITY	<i>Better than 0.25% (unity gain).</i>
FREQUENCY RESPONSE	<i>30Hz to 8MHz flat to within ± 1dB at unity gain.</i>
AT UNITY GAIN	<i>Differential Phase < 3 degrees / Differential Gain < 3%.</i>
GAIN CONTROL	<i>Variable from -2dB to +6dB.</i>
HF LIFT CONTROL	<i>Variable from -3dB to +3dB at 5MHz.</i>
POWER REQUIREMENTS	<i>12V DC regulated supply (supplied with unit).</i>
POWER ON/OFF INDICATOR	<i>Green lamp on front panel.</i>
POWER CONSUMPTION	<i>Approximately 0.6 Watts.</i>
OPERATING TEMPERATURE RANGE	<i>-10°C to +40°C.</i>
WEIGHT OF EQUIPMENT	<i>285 grams.</i>
DIMENSIONS OF EQUIPMENT	<i>Height 43mm Depth 85mm (excluding connectors) Width 154mm</i>



Addlestone Electronics Ltd

Springfields, Church Lane,
Bisley, Woking, Surrey. GU24 9EA

Telephone: (01483) 480969 Fax: (01483) 797268

E-mail: sales@addlestone-electronics.co.uk

Web Site: www.addlestone-electronics.co.uk