

VIDEO LINE CORRECTOR (OPTO COUPLED)

TYPE BH73UU

DATA SHEET

- Coax input / Coax output
- 10 video channels per unit
- Each channel equalises to +45dB at 5MHz
- Opto-coupled circuitry for hum rejection



APPLICATION

Designed to operate with coaxial cables the unit will equalise the incoming cable losses to a maximum of +45dB at 5MHz.

Controls on each channel provide the following: Gain, Low Frequency Lift, Medium Frequency Lift and High Frequency Lift 1,2,3 and 4. Adjustment of these controls enables the installer to compensate for the cable losses and obtain a good picture.

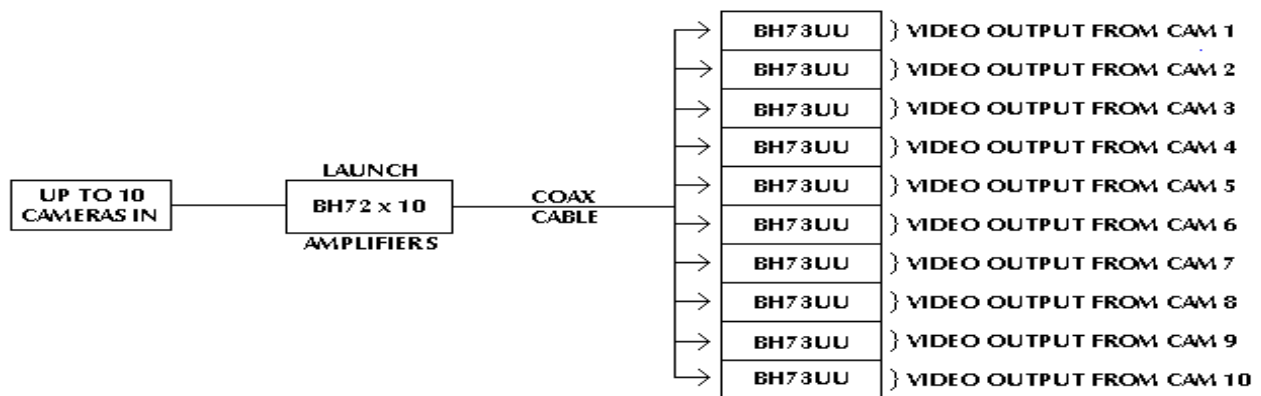
Each channel is fitted with an opto-coupled circuit to provide an optical pathway for the video signal. This isolation of the input and output signals prevents the appearance of Hum Bars on the video monitor in situations where circulating earth currents in the cable are causing a problem.

Addlestone Electronics Ltd.
DESIGNED AND MANUFACTURED IN UK

TECHNICAL DATA

BH73UU

INPUT SIGNAL REQUIREMENTS	Composite video using colour / monochrome signals or other wide band signals within a frequency bandwidth of 30Hz to 5MHz.
INPUT SIGNAL AMPLITUDE	Nominal 1 volt peak to peak.
OUTPUT SIGNAL AMPLITUDE	Nominal 1 volt peak to peak.
AT UNITY GAIN	Differential Phase < 3 degrees / Differential Gain < 3%.
INPUT IMPEDANCE	75 ohms .
OUTPUT IMPEDANCE	75 ohms.
ELIMINATION OF LONGITUDINAL HUM	Automatic rejection to a maximum of 90 volts peak to peak.
CORRECTOR RESPONSE IN BAND	Adjustable to compensate for frequency dependent cable losses to a maximum of +45dB at 5MHz.
LIFT CONTROLS	7 lift controls are fitted: GAIN, LF, MF, HF1, HF2, HF3 and HF4. These controls allow individual adjustments within the video passband.
AC INPUT CONNECTOR	IEC type connector, 3 pole fixed plug.
POWER REQUIREMENTS	Nominal 230V 50Hz or 110V 50Hz, the equipment is normally supplied for 230V operation. The unit will continue to operate correctly should the AC input supply vary \pm 15%.
POWER CONSUMPTION	Approximately 48 watts at 230V 50Hz.
PERMISSIBLE AMBIENT OPERATING TEMPERATURE	-10°C to +40°C.
WEIGHT OF EQUIPMENT	7.2Kg.
DIMENSIONS OF EQUIPMENT	Height 133mm Depth 483mm Width 315mm excluding connectors



ADDLESTONE ELECTRONICS LTD

Springfields, Church Lane, Bisley
Woking, Surrey, GU24 9EA

Telephone: (01483) 480969 Fax: (01483) 797268

E-mail: sales@addlestone-electronics.co.uk

Web Site: www.addlestone-electronics.co.uk

